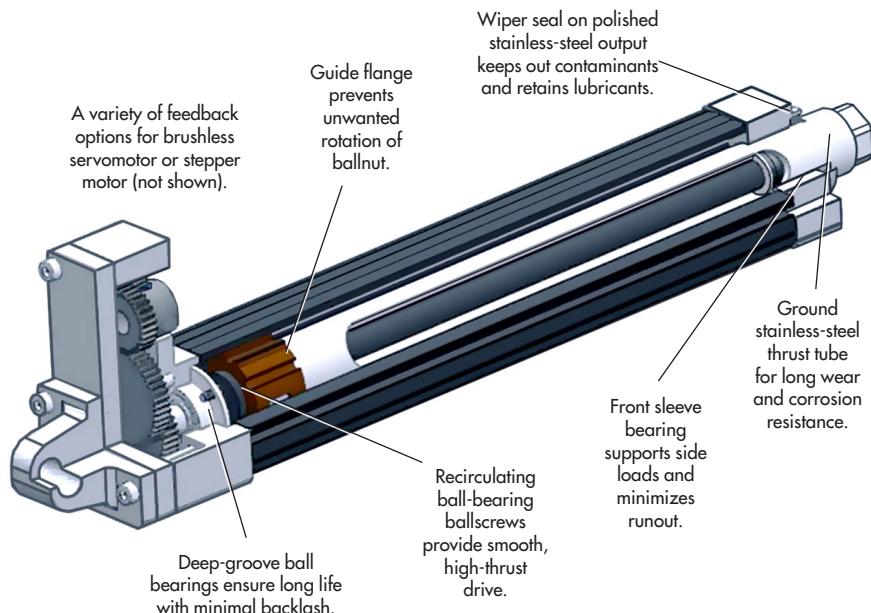



Compact, Electric Cylinders Lower Costs



THE EC1 LINEAR Positioner from Kollmorgen (www.kollmorgen.com), Redford, Va., has a maximum stroke length of 200 mm and delivers thrusts of up to 150 lb at 13 ips. It operates in temperatures from -30 to 70°F. The positioner can be used either with the company's AKM brushless servomotor or its CT stepper motor. Engineers have reduced the size of the unit by 33% compared to alternatives. It is designed as a clean, efficient replacement for hydraulic actuators as well as pneumatic cylinders.

The unit is available in both standard and custom lengths. In addition, it can be equipped with either threaded, spherical, or clevis rod ends. For feedback, optional home and limit sensors are also available. 

Strength in partnerships

*Supplying our most
innovative air
movement technology
for your applications*



Mouser Electronics, a subsidiary of TTI, Inc., is part of Warren Buffett's Berkshire Hathaway family of companies. Mouser is an award-winning authorized semiconductor and electronic component distributor, focused on the rapid introduction of new products and technologies to electronic design engineers and buyers. For more information, visit www.mouser.com.

Mouser Electronics
1000 North Main Street
Mansfield, Texas 76063
1.800.346.6873
sales@mouser.com
www.mouser.com

ebmpapst

The engineer's choice