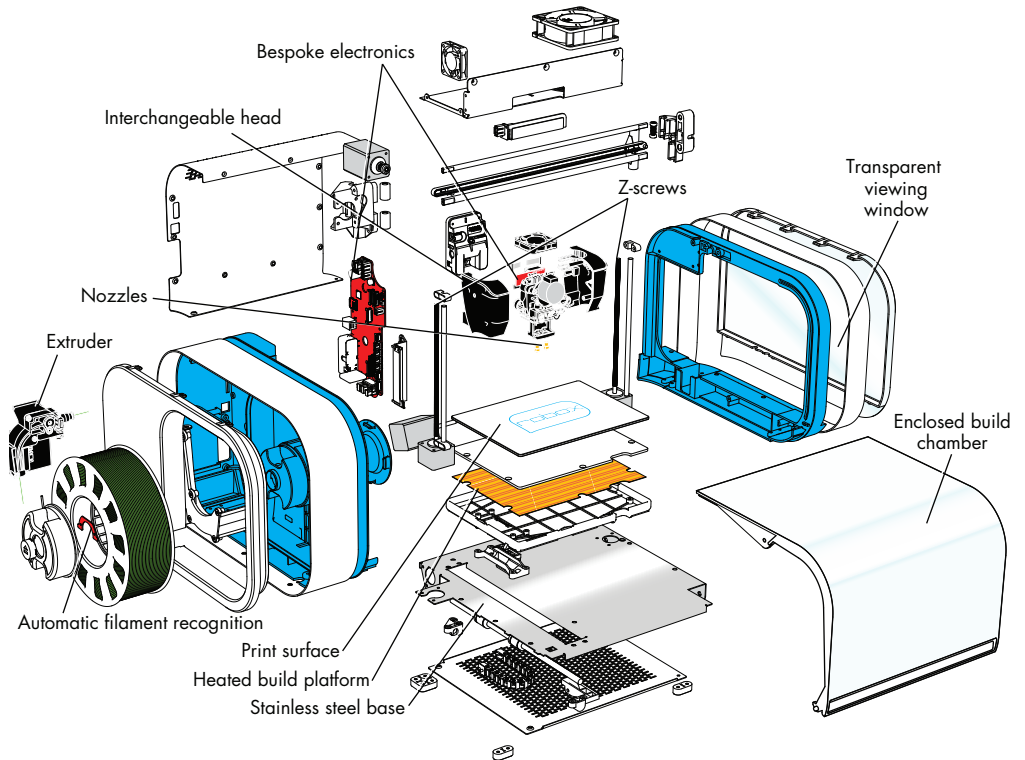


Printer Offers Filament Recognition

THE ROBOX 3D PRINTER

uses fused filament fabrication. Offering automatic filament recognition, the printer does not require programming when installing different materials. The head is interchangeable, letting the system have several functions, including a dual-material head, stylus cutter, milling head, and 3D scanner. The dual-nozzle print head offers a single-material feed that can be directed out of one of two nozzles. The 0.3-mm fine nozzle produces exterior surfaces. The 0.8-mm fast nozzle fills the items, several layers at a time. A needle-valve directs material between nozzles and shuts off the nozzles when moving between areas.

The print bed is easily removable, so users can change the bed as needed. The print surface is constructed from PEI laminate material, which helps printed objects release easily once they are



finished. The enclosed print area prevents outside thermal influences affecting the print by keeping the internal environment stable. It also shields users from surfaces too hot to touch. A window lets operators see inside the build chamber.

AIR BEARING TECHNOLOGY INSIDE

Introducing a new driving force.



Have you ever wished for an air cylinder that would never wear out? Consider Airpot's advanced Airpel-AB: the force that can power your designs for life.

Using a unique air bearing piston that can be cycled virtually infinitely, it will outlast any machine you put it in. **We can guarantee it.***

And that isn't all. Need ultra-low friction? Operational friction levels are so minute they are practically immeasurable.

Need cleanliness? The Airpel-AB runs incredibly cleanly, so it's right at home even in clean-room applications.

Start turning your wishes into reality. Head to airpot.com or call 800-848-7861 to speak with one of our very helpful application engineers.

Airpel-AB

Force Without Friction®



*The fine print: Just use in accordance with handling and installation guidelines. Airpel-AB® & Force Without Friction® are registered trademarks of Airpot Corp.

airpot.com